



Cisco

Exam 600-502

Developing with Cisco Network Programmability

Version: 6.0

[Total Questions: 60]

Question No : 1

A stock brokerage firm requires that all trades are executed quickly with a minimal amount of delay due to network latency.

Which software requirement is recommended as part of a business requirement?

- A. The application shall process trades as soon as possible with no further delay.
- B. The application should provide high-availability features to continue trading activities even in case of a software or hardware failure.
- C. The application shall maintain the state of all active network links in real time and prioritize traffic flows that belong to trading activities on the links with lowest latency.
- D. The application should set the latency attribute to zero on packets that belong to the a trading action.

Answer: C

Question No : 2

You must develop an SDN application that meets these specifications. The solution must manage devices through a centralized controller to configure access control lists. The solution will monitor traffic at a packet level to determine which packets are coming from known rogue applications and/or devices. Identified traffic will be used as the basis to create new ACLs to be deployed back onto the network devices. The identification and provisioning steps should take no more than 100 milliseconds.

Which three design options must you consider to develop an SDN application that meets these specifications? (Choose three.)

- A. choice of programming and scripting language
- B. choice of service set
- C. choice of transport protocol
- D. choice of deployment model
- E. use of security and TLS
- F. hardware platforms involved

Answer: A,B,D

Question No : 3

Which programming language and Cisco onePK Service Set is required for an application that performs at the packet level?

- A. Java with Utility Service Set
- B. REST with Element Service Set
- C. Ruby with Routing Service Set
- D. Python with Routing Service Set
- E. REST with Utility Service Set
- F. C with Data Path Service Set
- G. Java with Developer Service Set

Answer: F

Question No : 4

An application that leverages the Cisco onePK Data Path Service Set requires that TCP frames are inspected and discarded under a set of conditions. The sender is not informed of the discard.

Which action does this scenario describe?

- A. bypass or offload
- B. DSCP marking
- C. drop
- D. purge
- E. L4 redirect

Answer: D

Question No : 5

You must document that before your application applies any configuration changes to a device, the application runs those changes through a set of predefined, automated consistency tests called "ACT-CHECK10". The application applies changes only after the test has completed without any ERRORS or WARNINGS.

Which statement about these requirements is true?

- A. The system should test the configuration before applying it.
- B. After applying the configuration changes the user should ping the device to ensure that everything still works.
- C. The system should run consistency checks prior to applying configuration changes.
- D. Prior to applying the configuration changes to the device, the system shall run consistency test ACT_CHECK10, and proceed to applying changes only if no errors and/or warnings are reported by the test.
- E. The system should call the function app.ACT_CHECK10("config-changes.txt") method and capture the output. The system shall then go through the output to count the number of ERRORS and WARNINGS reported by the test. If the total number of ERRORS and WARNINGS is equal to 0, the system shall proceed to run app.ApplyChanges("config-changes.txt").

Answer: D

Question No : 6

When an application must be developed that interacts with Cisco IOS, NX-OS, and IOS-XR devices, the application must use LDAP for authentication and have secure communication between the Cisco onePK application and managed device. The customer prefers the use of Java for follow-on supportability by their staff. The customer is familiar with the Eclipse IDE. Which application dependency is relevant?

- A. interaction with multiple device platforms – Cisco IOS, NX-OS, and IOS-XR
- B. use of LDAP for authentication
- C. use of secure communication between onePK app and the device
- D. choice of Java as programming language
- E. customer's familiarity with Eclipse IDE

Answer: B

Question No : 7

Which Cisco onePK API service provides path tracing capabilities?

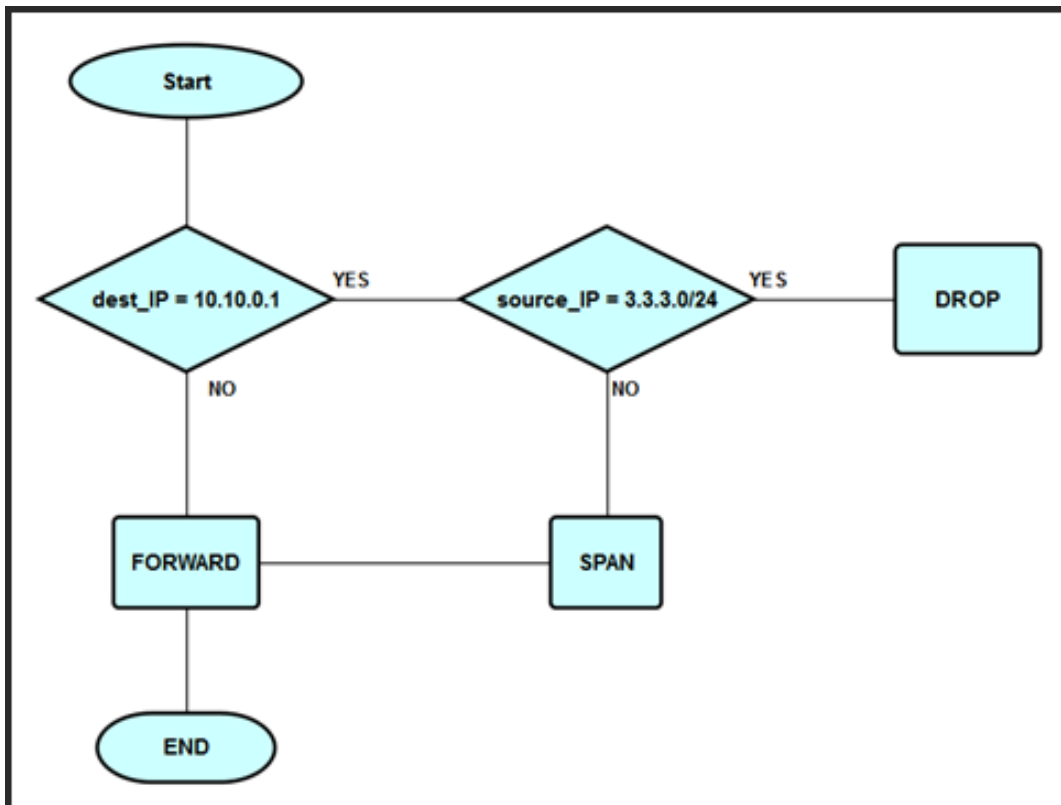
- A. Switching
- B. Routing
- C. Utility
- D. Data Path
- E. Developer

F. Discovery

Answer: C

Question No : 8

Refer to the exhibit.



Which two statements are true based on this flowchart? (Choose two.)

- A. All packets that are bound to host 10.10.0.1 are dropped.
- B. Packet with source IP 3.3.3.110 and destination IP 10.10.0.1 are spanned.
- C. All packets with source IP 3.3.3.110 and destination IP 10.10.0.1 are dropped.
- D. All packets from host 3.3.3.220 destined to host 10.10.0.1 are dropped or spanned.
- E. All traffic destined to host 10.10.0.1 is dropped or spanned.
- F. OpenFlow v1.0 only supports "flows" that are defined based on MAC addresses, not IP addresses.

Answer: C,D

Question No : 9

Which three options are requirements that should be supported by Software Defined Networking controllers? (Choose three.)

- A. extraction of network element and topology information
- B. computation of the explicit routing path per application flow.
- C. ability to route application traffic based on policy
- D. OSGI
- E. Agile development principles
- F. service-oriented architecture

Answer: A,B,C

Question No : 10

Which two protocols only keep track of the routers that are situated only one hop away? (Choose two.)

- A. CDP
- B. EIGRP
- C. OSPF
- D. ISIS

Answer: A,B

Question No : 11

Which language is compiled to native machine code?

- A. C
- B. Java
- C. Python
- D. Ruby

Answer: A

Question No : 12

Which statement describes what Cisco onePK SDK is used for?

- A. It allows the application to communicate with an OpenDaylight controller.
- B. It allows the application to communicate with network elements.
- C. It allows the application to provide a REST API to a centralized controller.
- D. It allows the application to talk to any network element that supports OpenFlow.

Answer: B

Question No : 13

Which two statements describe the two functionalities of an LLDP? (Choose two.)

- A. LLDP is used to deliver label information in MPLS networks.
- B. LLDP is used by OpenFlow controllers to find OpenFlow switches.
- C. Cisco Discovery Protocol is Cisco's L2/SNAP protocol that has similar functions as LLDP.
- D. HSRP is the Cisco proprietary protocol that has similar functions as LLDP.

Answer: B,C

Question No : 14

Which two options are purposes of the Plan phase SSD deliverable? (Choose two.)

- A. defines successful criteria for the delivery of the business application
- B. focuses on the sequence of flows to realize the business use case
- C. combines CRD and SRD to monitor the end-to-end traceability of business requirements
- D. defines the functional scope for the solution architecture
- E. The System Services Document defines the functional scope and successful criteria for the delivery of the business.

Answer: A,D

Question No : 15

Which three options are primary purposes of the Cisco software defined networking path

computation element? (Choose three.)

- A. discovering network infrastructure information
- B. orchestration of network services
- C. application-specific path routing computation
- D. programming the network element for forwarding state
- E. federating isolated virtualized domains

Answer: A,C,D

Question No : 16

Which three options are valid HTTP/1.1 methods? (Choose three.)

- A. GET
- B. PUT
- C. POST
- D. EXECUTE

Answer: A,B,C

Question No : 17

Which two options are common uses of DNS? (Choose two.)

- A. looking up the IP address if the hostname is known
- B. looking up the hostname if the IP address is known
- C. looking up the TCP port number that is used by an application protocol
- D. looking up the application level protocol that is used to connect to a server

Answer: A,B

Question No : 18

Which three requirement documents are needed when you plan a new software development? (Choose three.)

Microsoft Exams List

70-246 Dump PDF VCE	70-485 Dump PDF VCE	70-742 Dump PDF VCE	98-366 Dump PDF VCE
70-247 Dump PDF VCE	70-486 Dump PDF VCE	70-743 Dump PDF VCE	98-367 Dump PDF VCE
70-331 Dump PDF VCE	70-487 Dump PDF VCE	70-744 Dump PDF VCE	98-368 Dump PDF VCE
70-332 Dump PDF VCE	70-488 Dump PDF VCE	70-761 Dump PDF VCE	98-369 Dump PDF VCE
70-333 Dump PDF VCE	70-489 Dump PDF VCE	70-762 Dump PDF VCE	98-372 Dump PDF VCE
70-334 Dump PDF VCE	70-490 Dump PDF VCE	70-765 Dump PDF VCE	98-373 Dump PDF VCE
70-339 Dump PDF VCE	70-491 Dump PDF VCE	70-768 Dump PDF VCE	98-374 Dump PDF VCE
70-341 Dump PDF VCE	70-492 Dump PDF VCE	70-980 Dump PDF VCE	98-375 Dump PDF VCE
70-342 Dump PDF VCE	70-494 Dump PDF VCE	70-981 Dump PDF VCE	98-379 Dump PDF VCE
70-345 Dump PDF VCE	70-496 Dump PDF VCE	70-982 Dump PDF VCE	MB2-700 Dump PDF VCE
70-346 Dump PDF VCE	70-497 Dump PDF VCE	74-343 Dump PDF VCE	MB2-701 Dump PDF VCE
70-347 Dump PDF VCE	70-498 Dump PDF VCE	74-344 Dump PDF VCE	MB2-702 Dump PDF VCE
70-348 Dump PDF VCE	70-499 Dump PDF VCE	74-409 Dump PDF VCE	MB2-703 Dump PDF VCE
70-354 Dump PDF VCE	70-517 Dump PDF VCE	74-678 Dump PDF VCE	MB2-704 Dump PDF VCE
70-383 Dump PDF VCE	70-532 Dump PDF VCE	74-697 Dump PDF VCE	MB2-707 Dump PDF VCE
70-384 Dump PDF VCE	70-533 Dump PDF VCE	77-420 Dump PDF VCE	MB2-710 Dump PDF VCE
70-385 Dump PDF VCE	70-534 Dump PDF VCE	77-427 Dump PDF VCE	MB2-711 Dump PDF VCE
70-410 Dump PDF VCE	70-640 Dump PDF VCE	77-600 Dump PDF VCE	MB2-712 Dump PDF VCE
70-411 Dump PDF VCE	70-642 Dump PDF VCE	77-601 Dump PDF VCE	MB2-713 Dump PDF VCE
70-412 Dump PDF VCE	70-646 Dump PDF VCE	77-602 Dump PDF VCE	MB2-714 Dump PDF VCE
70-413 Dump PDF VCE	70-673 Dump PDF VCE	77-603 Dump PDF VCE	MB2-715 Dump PDF VCE
70-414 Dump PDF VCE	70-680 Dump PDF VCE	77-604 Dump PDF VCE	MB2-716 Dump PDF VCE
70-417 Dump PDF VCE	70-681 Dump PDF VCE	77-605 Dump PDF VCE	MB2-717 Dump PDF VCE
70-461 Dump PDF VCE	70-682 Dump PDF VCE	77-881 Dump PDF VCE	MB2-718 Dump PDF VCE
70-462 Dump PDF VCE	70-684 Dump PDF VCE	77-882 Dump PDF VCE	MB5-705 Dump PDF VCE
70-463 Dump PDF VCE	70-685 Dump PDF VCE	77-883 Dump PDF VCE	MB6-700 Dump PDF VCE
70-464 Dump PDF VCE	70-686 Dump PDF VCE	77-884 Dump PDF VCE	MB6-701 Dump PDF VCE
70-465 Dump PDF VCE	70-687 Dump PDF VCE	77-885 Dump PDF VCE	MB6-702 Dump PDF VCE
70-466 Dump PDF VCE	70-688 Dump PDF VCE	77-886 Dump PDF VCE	MB6-703 Dump PDF VCE
70-467 Dump PDF VCE	70-689 Dump PDF VCE	77-887 Dump PDF VCE	MB6-704 Dump PDF VCE
70-469 Dump PDF VCE	70-692 Dump PDF VCE	77-888 Dump PDF VCE	MB6-705 Dump PDF VCE
70-470 Dump PDF VCE	70-695 Dump PDF VCE	77-891 Dump PDF VCE	MB6-884 Dump PDF VCE
70-473 Dump PDF VCE	70-696 Dump PDF VCE	98-349 Dump PDF VCE	MB6-885 Dump PDF VCE
70-480 Dump PDF VCE	70-697 Dump PDF VCE	98-361 Dump PDF VCE	MB6-886 Dump PDF VCE
70-481 Dump PDF VCE	70-698 Dump PDF VCE	98-362 Dump PDF VCE	MB6-889 Dump PDF VCE
70-482 Dump PDF VCE	70-734 Dump PDF VCE	98-363 Dump PDF VCE	MB6-890 Dump PDF VCE
70-483 Dump PDF VCE	70-740 Dump PDF VCE	98-364 Dump PDF VCE	MB6-892 Dump PDF VCE
70-484 Dump PDF VCE	70-741 Dump PDF VCE	98-365 Dump PDF VCE	MB6-893 Dump PDF VCE

Cisco Exams List

010-151 Dump PDF VCE	350-018 Dump PDF VCE	642-737 Dump PDF VCE	650-667 Dump PDF VCE
100-105 Dump PDF VCE	352-001 Dump PDF VCE	642-742 Dump PDF VCE	650-669 Dump PDF VCE
200-001 Dump PDF VCE	400-051 Dump PDF VCE	642-883 Dump PDF VCE	650-752 Dump PDF VCE
200-105 Dump PDF VCE	400-101 Dump PDF VCE	642-885 Dump PDF VCE	650-756 Dump PDF VCE
200-120 Dump PDF VCE	400-151 Dump PDF VCE	642-887 Dump PDF VCE	650-968 Dump PDF VCE
200-125 Dump PDF VCE	400-201 Dump PDF VCE	642-889 Dump PDF VCE	700-001 Dump PDF VCE
200-150 Dump PDF VCE	400-251 Dump PDF VCE	642-980 Dump PDF VCE	700-037 Dump PDF VCE
200-155 Dump PDF VCE	400-351 Dump PDF VCE	642-996 Dump PDF VCE	700-038 Dump PDF VCE
200-310 Dump PDF VCE	500-006 Dump PDF VCE	642-997 Dump PDF VCE	700-039 Dump PDF VCE
200-355 Dump PDF VCE	500-007 Dump PDF VCE	642-998 Dump PDF VCE	700-101 Dump PDF VCE
200-401 Dump PDF VCE	500-051 Dump PDF VCE	642-999 Dump PDF VCE	700-104 Dump PDF VCE
200-601 Dump PDF VCE	500-052 Dump PDF VCE	644-066 Dump PDF VCE	700-201 Dump PDF VCE
210-060 Dump PDF VCE	500-170 Dump PDF VCE	644-068 Dump PDF VCE	700-205 Dump PDF VCE
210-065 Dump PDF VCE	500-201 Dump PDF VCE	644-906 Dump PDF VCE	700-260 Dump PDF VCE
210-250 Dump PDF VCE	500-202 Dump PDF VCE	646-048 Dump PDF VCE	700-270 Dump PDF VCE
210-255 Dump PDF VCE	500-254 Dump PDF VCE	646-365 Dump PDF VCE	700-280 Dump PDF VCE
210-260 Dump PDF VCE	500-258 Dump PDF VCE	646-580 Dump PDF VCE	700-281 Dump PDF VCE
210-451 Dump PDF VCE	500-260 Dump PDF VCE	646-671 Dump PDF VCE	700-295 Dump PDF VCE
210-455 Dump PDF VCE	500-265 Dump PDF VCE	646-985 Dump PDF VCE	700-501 Dump PDF VCE
300-070 Dump PDF VCE	500-275 Dump PDF VCE	648-232 Dump PDF VCE	700-505 Dump PDF VCE
300-075 Dump PDF VCE	500-280 Dump PDF VCE	648-238 Dump PDF VCE	700-601 Dump PDF VCE
300-080 Dump PDF VCE	500-285 Dump PDF VCE	648-244 Dump PDF VCE	700-602 Dump PDF VCE
300-085 Dump PDF VCE	500-290 Dump PDF VCE	648-247 Dump PDF VCE	700-603 Dump PDF VCE
300-101 Dump PDF VCE	500-801 Dump PDF VCE	648-375 Dump PDF VCE	700-701 Dump PDF VCE
300-115 Dump PDF VCE	600-199 Dump PDF VCE	648-385 Dump PDF VCE	700-702 Dump PDF VCE
300-135 Dump PDF VCE	600-210 Dump PDF VCE	650-032 Dump PDF VCE	700-703 Dump PDF VCE
300-160 Dump PDF VCE	600-211 Dump PDF VCE	650-042 Dump PDF VCE	700-801 Dump PDF VCE
300-165 Dump PDF VCE	600-212 Dump PDF VCE	650-059 Dump PDF VCE	700-802 Dump PDF VCE
300-180 Dump PDF VCE	600-455 Dump PDF VCE	650-082 Dump PDF VCE	700-803 Dump PDF VCE
300-206 Dump PDF VCE	600-460 Dump PDF VCE	650-127 Dump PDF VCE	810-403 Dump PDF VCE
300-207 Dump PDF VCE	600-501 Dump PDF VCE	650-128 Dump PDF VCE	820-424 Dump PDF VCE
300-208 Dump PDF VCE	600-502 Dump PDF VCE	650-148 Dump PDF VCE	840-425 Dump PDF VCE
300-209 Dump PDF VCE	600-503 Dump PDF VCE	650-159 Dump PDF VCE	
300-210 Dump PDF VCE	600-504 Dump PDF VCE	650-281 Dump PDF VCE	
300-320 Dump PDF VCE	640-692 Dump PDF VCE	650-393 Dump PDF VCE	
300-360 Dump PDF VCE	640-875 Dump PDF VCE	650-472 Dump PDF VCE	
300-365 Dump PDF VCE	640-878 Dump PDF VCE	650-474 Dump PDF VCE	
300-370 Dump PDF VCE	640-911 Dump PDF VCE	650-575 Dump PDF VCE	
300-375 Dump PDF VCE	640-916 Dump PDF VCE	650-621 Dump PDF VCE	
300-465 Dump PDF VCE	642-035 Dump PDF VCE	650-663 Dump PDF VCE	
300-470 Dump PDF VCE	642-732 Dump PDF VCE	650-665 Dump PDF VCE	
300-475 Dump PDF VCE	642-747 Dump PDF VCE	650-754 Dump PDF VCE	

HOT EXAMS

Cisco

[100-105 Dumps VCE PDF](#)
[200-105 Dumps VCE PDF](#)
[300-101 Dumps VCE PDF](#)
[300-115 Dumps VCE PDF](#)
[300-135 Dumps VCE PDF](#)
[300-320 Dumps VCE PDF](#)
[400-101 Dumps VCE PDF](#)
[640-911 Dumps VCE PDF](#)
[640-916 Dumps VCE PDF](#)

Microsoft

[70-410 Dumps VCE PDF](#)
[70-411 Dumps VCE PDF](#)
[70-412 Dumps VCE PDF](#)
[70-413 Dumps VCE PDF](#)
[70-414 Dumps VCE PDF](#)
[70-417 Dumps VCE PDF](#)
[70-461 Dumps VCE PDF](#)
[70-462 Dumps VCE PDF](#)
[70-463 Dumps VCE PDF](#)
[70-464 Dumps VCE PDF](#)
[70-465 Dumps VCE PDF](#)
[70-480 Dumps VCE PDF](#)
[70-483 Dumps VCE PDF](#)
[70-486 Dumps VCE PDF](#)
[70-487 Dumps VCE PDF](#)

CompTIA

[220-901 Dumps VCE PDF](#)
[220-902 Dumps VCE PDF](#)
[N10-006 Dumps VCE PDF](#)
[SY0-401 Dumps VCE PDF](#)