

*Ensurepass.com Easy Test! Easy Pass!*



**Vendor:** Cisco

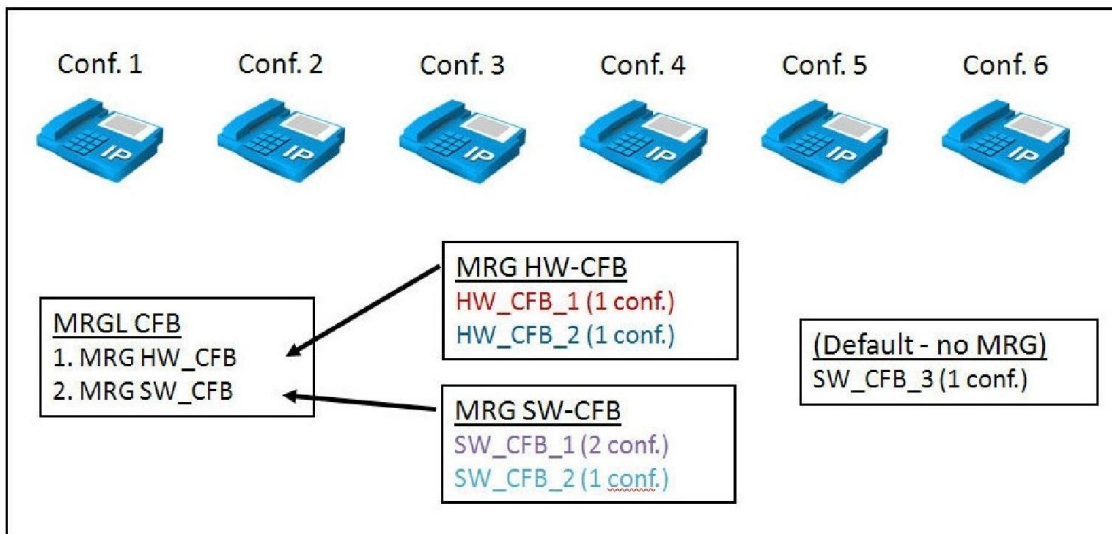
**Exam Code:** 642-447

**Exam Name:** Implementing Cisco Unified  
Communications Manager, Part 1 v8.0 (CIPT1 v8.0)

**Version:** DEMO

**QUESTION 1**

Refer to the exhibit. Which conference resource is Conference 3 using assuming that the MRGL has just been reset and all 6 conferences have become active?



- A. HW\_CFB\_1
- B. HW\_CFB\_2
- C. SW\_CFB\_1
- D. SW\_CFB\_2
- E. SW\_CFB\_3

**Answer: B**

**QUESTION 2**

Which protocol is recommended to be used between Cisco Unified Communications Manager and the voice gateway to simplify the dial plan?

- A. SIP
- B. SCCP
- C. H323
- D. RSVP
- E. MGCP

**Answer: E**

**QUESTION 3**

Which protocol can Cisco Unified Communications Manager not use to monitor the status of the gateway?

- A. H.323
- B. SIP
- C. MGCP
- D. SCCP

**Answer: A**

**QUESTION 4**

Which option lists matches for the route pattern 38[^1-6]?

- A. 380, 387, 388, 389
- B. 381, 382, 383, 384, 385, 386 only
- C. 381, 386 only
- D. 381, 382, 383, 384, 385, 386, 38\*, 38# only

**Answer: A**

**QUESTION 5**

Which two options can a route pattern be assigned? (Choose two.)

- A. a route list with one or more route groups configured
- B. a route list with no route groups configured
- C. a gateway that is assigned to a route group
- D. a gateway that is not assigned to a route group

**Answer: AD**

**QUESTION 6**

Which route pattern is the best match for the range of 6000 to 6599?

- A. 6XXX
- B. 65XX
- C. 60XX
- D. 6[05]XX
- E. 6[0-5]XX

**Answer: E**

**QUESTION 7**

Which statement about the relationship between gateways and route groups is true?

- A. Each gateway can belong to only one route group and can be listed only once within that route group.
- B. Each gateway can belong to only one route group and can be listed multiple times within that route group.
- C. Each gateway can belong to multiple route groups and can be listed only once within each route group.
- D. Each gateway can belong to multiple route groups and can be listed multiple times within each route group.

**Answer: C**

**QUESTION 8**

Which two algorithms are valid to distribute calls in a route group? (Choose two.)

- A. round-robin
- B. top-down

- C. bottom-up
- D. broadcast
- E. circular

**Answer:** BE

**QUESTION 9**

Which option describes where you set up the toll-fraud prevention feature that drops any calls from a conference if no on-net users are still connected?

- A. in the service parameters for the Ad Hoc Conference Service
- B. in the service parameters for Cisco IP Voice Media Streaming App
- C. in the service parameters for Cisco CallManager
- D. in the enterprise parameters

**Answer:** C

**QUESTION 10**

Which two valid features prevent toll fraud? (Choose two.)

- A. CNC
- B. FAC
- C. CAC
- D. CSS

**Answer:** BD

**QUESTION 11**

The Cisco IP Phone of your company operator is on extension 7000. However, users normally dial 0 to get the operator.

Which action sends calls that were made to 0 to the operator?

- A. Create a route pattern of 0 and use a called party transform mask of 7XXX.
- B. Create the IP phone overlay feature so the operator's line has 0 and 7000 assigned to it.
- C. Create a translation pattern for 7000 and a called party transform mask of 0.
- D. Create a translation pattern for 0 and a called party transform mask of 7000.
- E. Create a translation pattern for 0 and a calling party transform mask of 7000.

**Answer:** D

**QUESTION 12**

Which two elements are configured to provide dialing privileges in Cisco Unified Communications Manager? (Choose two.)

- A. partitions
- B. regions
- C. enterprise phone configuration
- D. calling search spaces

**Answer:** AD

**QUESTION 13**

Which two statements about calling search spaces and partitions are true? (Choose two.)

- A. Partitions define who you can call.
- B. Partitions define who can call you.
- C. Calling search spaces can be assigned only to phones and gateways.
- D. Calling search spaces define who you can call.
- E. Calling search spaces define who can call you.

**Answer:** BD

**QUESTION 14**

Which option describes the objective of use partitions?

- A. Divide directory numbers with different privileges.
- B. Group called numbers with identical reachability characteristics.
- C. Provide calling privileges to implement CoS.
- D. Enable the use of FAC.
- E. Route different called patterns to a specific gateway.

**Answer:** B

## Ensurepass.com Members Features:

1. Verified Answers researched by industry experts.
2. Q&As are downloadable in PDF and VCE format.
3. 98% success Guarantee and **Money Back** Guarantee.
4. Free updates for **180** Days.

View list of All Exam provided:

<http://www.ensurepass.com/certifications?index=A>

To purchase Lifetime Full Access Membership click here:

<http://www.ensurepass.com/user/register>

**Valid Discount Code for 2014: SFOH-FZA0-7Q2S**

To purchase the HOT Exams:

<u>Cisco</u>		<u>CompTIA</u>		<u>Oracle</u>	<u>VMWare</u>	<u>IBM</u>
<a href="#"><u>100-101</u></a>	<a href="#"><u>640-554</u></a>	<a href="#"><u>220-801</u></a>	<a href="#"><u>LX0-101</u></a>	<a href="#"><u>1Z0-051</u></a>	<a href="#"><u>VCAD510</u></a>	<a href="#"><u>C2170-011</u></a>
<a href="#"><u>200-120</u></a>	<a href="#"><u>640-802</u></a>	<a href="#"><u>220-802</u></a>	<a href="#"><u>N10-005</u></a>	<a href="#"><u>1Z0-052</u></a>	<a href="#"><u>VCP510</u></a>	<a href="#"><u>C2180-319</u></a>
<a href="#"><u>300-206</u></a>	<a href="#"><u>640-816</u></a>	<a href="#"><u>BR0-002</u></a>	<a href="#"><u>SG0-001</u></a>	<a href="#"><u>1Z0-053</u></a>	<a href="#"><u>VCP550</u></a>	<a href="#"><u>C4030-670</u></a>
<a href="#"><u>300-207</u></a>	<a href="#"><u>640-822</u></a>	<a href="#"><u>CAS-001</u></a>	<a href="#"><u>SG1-001</u></a>	<a href="#"><u>1Z0-060</u></a>	<a href="#"><u>VCAC510</u></a>	<a href="#"><u>C4040-221</u></a>
<a href="#"><u>300-208</u></a>	<a href="#"><u>640-864</u></a>	<a href="#"><u>CLO-001</u></a>	<a href="#"><u>SK0-002</u></a>	<a href="#"><u>1Z0-474</u></a>	<a href="#"><u>VCP5-DCV</u></a>	<a href="#"><u>RedHat</u></a>
<a href="#"><u>350-018</u></a>	<a href="#"><u>642-467</u></a>	<a href="#"><u>ISS-001</u></a>	<a href="#"><u>SK0-003</u></a>	<a href="#"><u>1Z0-482</u></a>	<a href="#"><u>VCP510PSE</u></a>	<a href="#"><u>EX200</u></a>
<a href="#"><u>352-001</u></a>	<a href="#"><u>642-813</u></a>	<a href="#"><u>JK0-010</u></a>	<a href="#"><u>SY0-101</u></a>	<a href="#"><u>1Z0-485</u></a>		<a href="#"><u>EX300</u></a>
<a href="#"><u>400-101</u></a>	<a href="#"><u>642-902</u></a>	<a href="#"><u>JK0-801</u></a>	<a href="#"><u>SY0-301</u></a>	<a href="#"><u>1Z0-580</u></a>		
<a href="#"><u>640-461</u></a>	<a href="#"><u>700-302</u></a>			<a href="#"><u>1Z0-820</u></a>		

